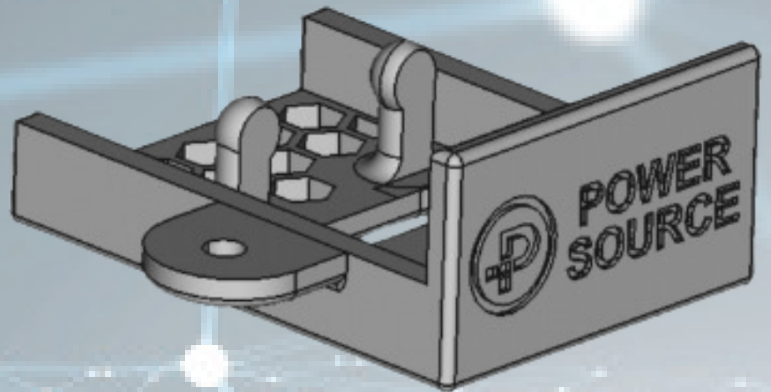
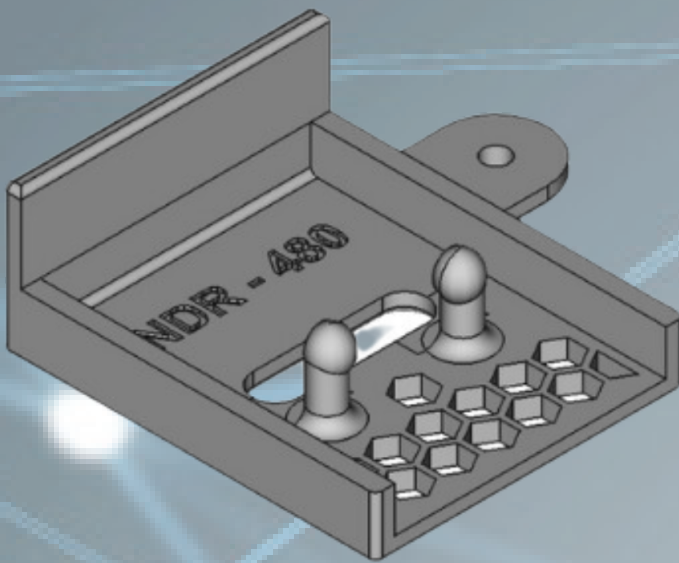
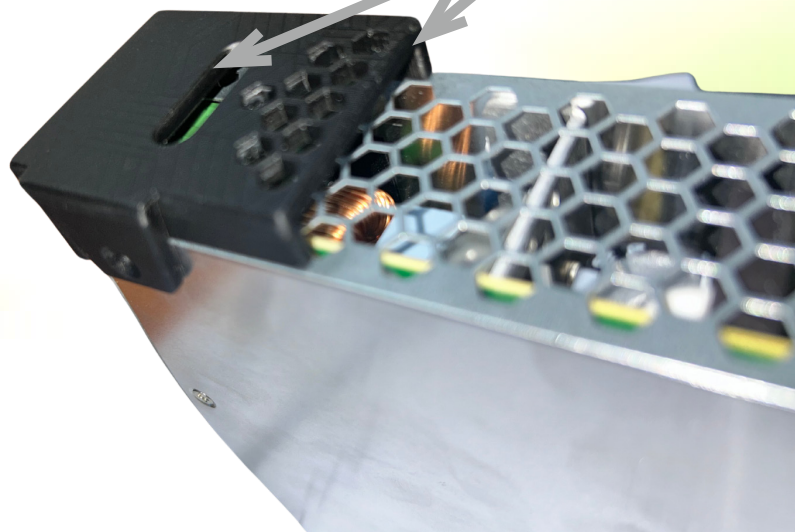
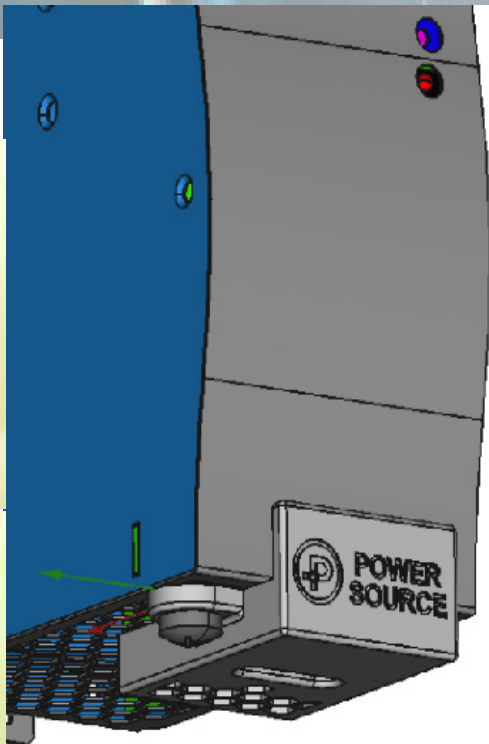


# POWER SOURCE

## AC Terminal Cover for NDR-480 Series



2 x Exit points for wiring



**Snap on design\***  
**Terminal labels remain visible**

\*Screw included