



**1 YEAR
WARRANTY**

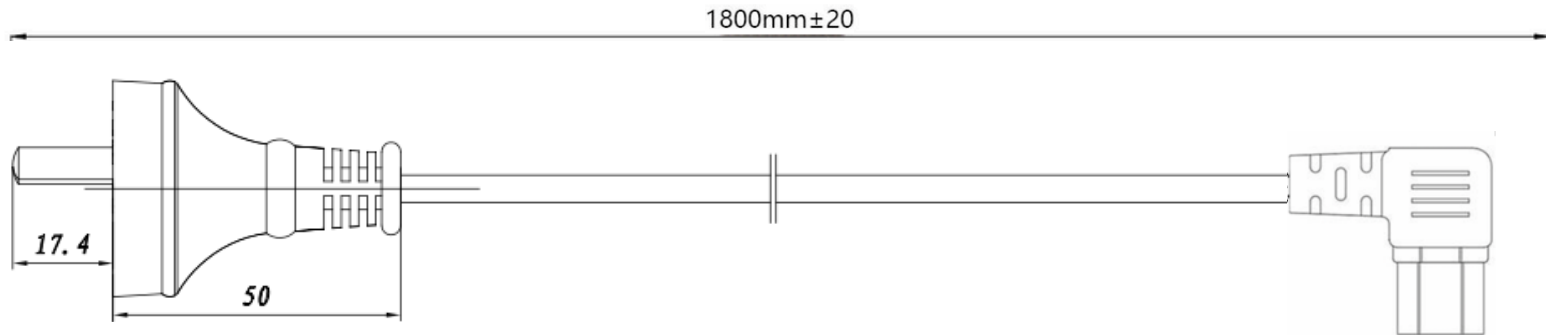
PLAC-3PAU-C13IEC-RA-1800

AUS 3 Pin 10A, AC Power cord to Right angled IEC-C13 Plug

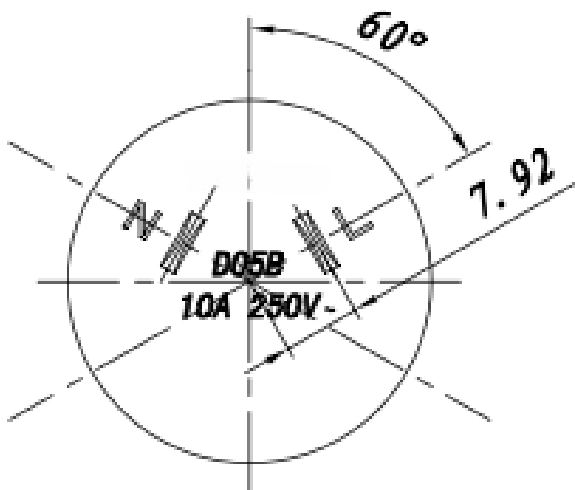
RCM Approved for Australian Market

Rating	10A	220-250V	Colour	Black
Conductor size	0.75mm ²		Warranty	1 Year
Outside Diameter	6.55MM±0.2MM		Connector A	AUS Mains plug
Withstand Voltage	2.0KV/1MIN		Connector B	Right Angle IEC-C13
Standard	AS/NZ3112		Length	1.8m

Cable



Connector A



Connector B

