



■ Features :

- True sine wave output (THD<3%)
- High surge power up to 6000W
- High efficiency up to 92%
- Power ON-OFF switch
- Standby saving mode can be selectable
- Front panel indicator for operation status
- Thermostatically controlled cooling fan
- Protections: Bat. low alarm / Bat. low shutdown / Over voltage / Over temp. / Output short / Input polarity reverse / Overload / AC circuit breaker
- Application : Home appliance, power tools, office and portable equipment, vehicle and yacht ...etc.
- Support RS-232 communication (communication cable order No.: RJ11-RS232, sold sperately) Note.11
- 3 years warranty



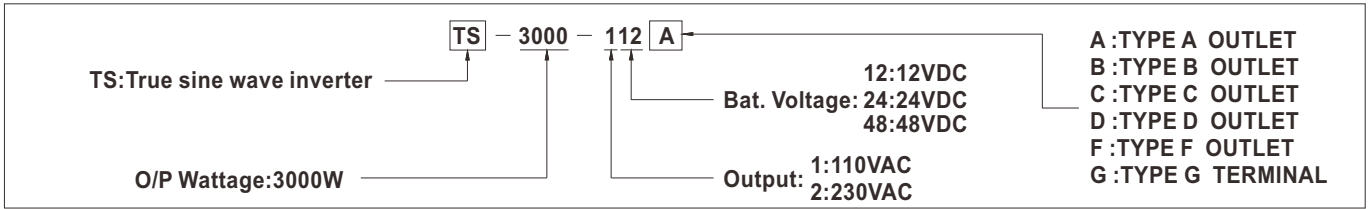
■ GTIN CODE

MW Search: <https://www.meanwell.com/serviceGTIN.aspx>



SPECIFICATION

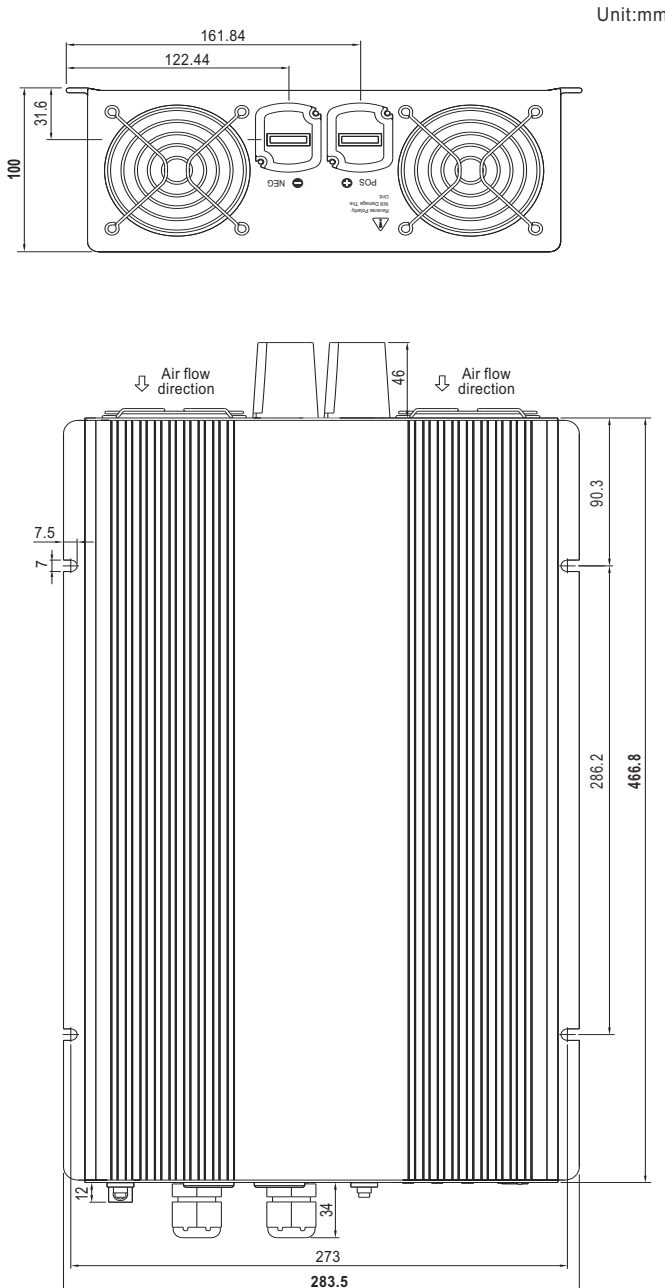
MODEL NO.	TS-3000-112□	TS-3000-124□	TS-3000-148□	TS-3000-212□	TS-3000-224□	TS-3000-248□
	□ = A, F, G			□ = B, C, D, G		
OUTPUT	RATED POWER (Typ.) 3000W					
	MAXIMUM OUTPUT POWER (Typ.) 3450W for 180 sec. / 4500W for 10 sec. / surge power 6000W for 30 cycles					
	AC VOLTAGE			AC VOLTAGE		
	Factory setting set at 110VAC			Factory setting set at 230VAC		
	100 / 110 / 115 / 120VAC selectable by setting button S.W			200 / 220 / 230 / 240VAC selectable by setting button S.W		
	FREQUENCY Note.10			FREQUENCY Note.10		
	60 ± 0.1Hz 50/60Hz selectable by setting button S.W			50 ± 0.1Hz 50/60Hz selectable by setting button S.W		
	WAVEFORM Note.7			WAVEFORM Note.7		
True sine wave (THD<3%)			True sine wave (THD<3%)			
AC REGULATION (Typ.) ±3%						
SAVING MODE (Typ.) Default disabled. Load ≤ 5W will be changed to standby mode						
FRONT PANEL INDICATOR Battery voltage level, output load level, saving mode, fault and operation status						
INPUT	BAT. VOLTAGE					
	12V	24V	48V	12V	24V	48V
	VOLTAGE RANGE (Typ.) Note.3,6					
	10.5 ~ 15VDC		21 ~ 30VDC		42 ~ 60VDC	
	DC CURRENT (Typ.) Note.4					
	300A		150A		75A	
NO LOAD DISSIPATION (Typ.) ≤ 10W @ standby saving mode						
OFF MODE CURRENT DRAW (Typ.) ≤ 1mA						
EFFICIENCY (Typ.) Note.1						
88%		90%		91%		
BATTERY TYPES Open & sealed lead acid battery						
BATTERY INPUT PROTECTION	FUSE					
	40A*12	40A*6	20A*6	40A*12	40A*6	20A*6
	BAT. LOW ALARM Note.6					
	11.3V	22.5V	45V	11.3V	22.5V	45V
BAT. LOW SHUTDOWN Note.6						
10.5V	21V	42V	10.5V	21V	42V	
REVERSE POLARITY By internal fuse open						
OUTPUT PROTECTION	OVER TEMPERATURE					
	90°C ± 5°C	85°C ± 5°C	85°C ± 5°C	80°C ± 5°C	75°C ± 5°C	75°C ± 5°C
	OUTPUT SHORT					
	Protection type : Shut down o/p voltage, re-power on to recover					
	OVER LOAD (Typ.)					
105 ~ 115% load for 180 sec., 115% ~ 150% load for 10 sec.						
Protection type : Shut down o/p voltage, re-power on to recover						
CIRCUIT BREAKER AC output receptacle:15A						
GFCI PROTECTION Optional (Only type F)				None		
ENVIRONMENT	WORKING TEMP. Note.2					
	0 ~ +40°C @ 100% load ; 60°C @ 50% load					
	WORKING HUMIDITY 20% ~ 90% RH non-condensing					
	STORAGE TEMP., HUMIDITY -30 ~ +70°C / -22 ~ +158°F, 10 ~ 95% RH non-condensing					
VIBRATION 10 ~ 500Hz, 3G 10min./1cycle, 60min. each along X, Y, Z axes						
SAFETY & EMC	SAFETY STANDARDS					
	UL458 (only for Type G) , EAC TP TC 004			EAC TP TC 004		
	WITHSTAND VOLTAGE Bat I/P - AC O/P:3.0KVAC AC O/P - FG:1.5KVAC					
	ISOLATION RESISTANCE Bat I/P - AC O/P, Bat I/P - FG, AC O/P - FG: 100M ohms / 500VDC / 25°C / 70% RH					
	EMC EMISSION			EMC EMISSION		
Compliance to FCC class A, EAC TP TC 020			Compliance to BS EN/EN55032 class A, 72/ 245/ CEE, 95/ 54/ CE, E-Mark, EAC TP TC 020			
EMC IMMUNITY			EMC IMMUNITY			
Compliance to EAC TP TC 020			Compliance to BS EN/EN61000-4-2,3,4,5,6,8,11, EAC TP TC 020			
OTHERS	CONTROL WIRING Note.11					
	RJ11-RS232 (Option)					
	MTBF 257.6K hrs min. Telcordia SR-332 (Bellcore) ; 33.3K hrs min. MIL-HDBK-217F (25°C)					
	DIMENSION 466*283.5*100mm (L*W*H)					
PACKING 12.9Kg; 1pcs/14Kg/1.49CUFT						
NOTE	<p>1.Efficiency is tested by 2100W, linear load at 13V, 26V, 52V input voltage.</p> <p>2.Output derating capacity referenced by curve 1.</p> <p>3.Input derating capacity referenced by curve 2.</p> <p>4.DC current is tested by 3000W, linear load at 12V, 24V, 48V input voltage.</p> <p>5.All parameters not specified above are measured at rated load, 25°C of ambient temperature and set to factory setting.</p> <p>6.The tolerance of each voltage value by models is:112/212→±0.5V;124/224→±1V;148/248→±2V.</p> <p>7.THd is tested by 3000W, linear load at 13,26,52V input voltage.</p> <p>8.Please do not turn on the inverter before start the engine if inverter connect to vehicle's battery directly.</p> <p>9.The ambient temperature derating of 3.5°C/1000m with fanless models and of 5°C/1000m with fan models for operating altitude higher than 2000m(6500ft).</p> <p>10.Type F for 60Hz only.</p> <p>11.The cable is enclosed for the connection between TS-3000 and computer for software monitoring.</p> <p>※ Product Liability Disclaimer : For detailed information, please refer to https://www.meanwell.com/serviceDisclaimer.aspx</p>					



■ AC Output Socket (optional)

MODEL NO.	TS-3000-112 <input type="checkbox"/>	TS-3000-124 <input type="checkbox"/>	TS-3000-148 <input type="checkbox"/>	TS-3000-212 <input type="checkbox"/>	TS-3000-224 <input type="checkbox"/>	TS-3000-248 <input type="checkbox"/>	
Socket type			 (Terminal inside case only, no AC socket)				 (Terminal inside case only, no AC socket)
	TYPE-A	TYPE-F	TYPE-G	TYPE-B	TYPE-C	TYPE-D	TYPE-G
	Standard	Optional	Optional	Standard	Optional	Optional	Optional
Country	USA	GFCI (60Hz)	----	EUROPE	AUSTRALIA	U.K	----
Certificate			 (Except for 48V input)				None

■ Mechanical Specification



■ Derating Curve

