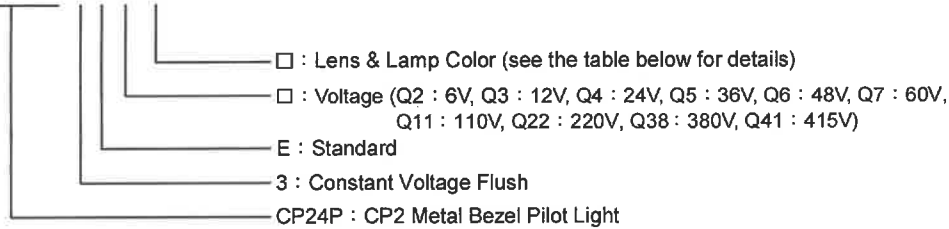


TYPE No. : CP24P-3E□□



ORDER No. : CP24P-3E□□

LED Lamp Ratings

Code	Voltage	Rate current (mA)					
		Amber	Green	Red	Blue	White	Yellow
Q2	AC/DC 6V	11	2.2	11	12	4.5	11
Q3	AC/DC 12V	10	2.2	10	12	4.5	10
Q4	AC/DC 24V	10	2.2	10	12	4.5	10
Q5	AC/DC 36V	9	2.1	9	8.9	4.4	9
Q6	AC/DC 48V	9.2	2.2	9.2	9.1	4.3	9.2
Q7	AC/DC 60V	8	2.1	8	7.9	4.4	8
Q11	AC 110V	10	3	10	10	6.8	10
Q22	AC 220V	10.3	2.1	10.3	10.3	5.8	10.3
Q38	AC 380V	7.8	2.1	7.8	7.8	4.9	7.8
Q41	AC 415V	8.2	2.2	8.2	8.2	5.1	8.2

Lens & LED Color

	Code							
	A	G	R	S	Y	W	PW	C
Lens	Amber	Green	Red	Blue	Yellow	White	Clear	Clear
LED	Amber	Green	Red	Blue	Yellow	White	White	Yellow

Product Specifications

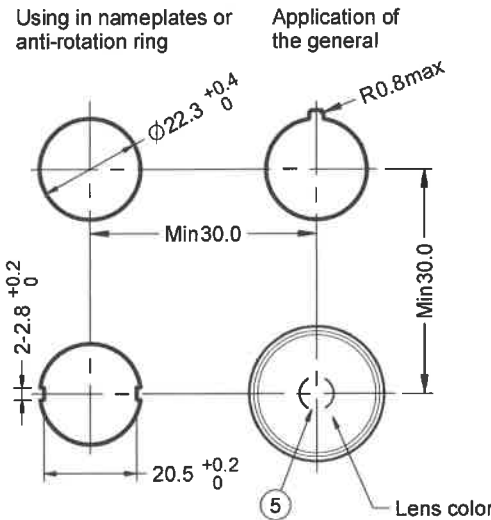
Operation voltage : 450V
 Rated power : 5W
 Insulation resistance : 100MΩ min. (at 500V DC)
 Dielectric strength : 2000V AC 50/60 HZ for 1 min
 Degree of protection : IP66, Type 4X Indoor use only & Type 13 IP30 (under panel)
 Storage temperature : -40°C to +85°C
 Operating temperature : -25°C to +55°C
 Operating humidity : 45% to 85% RH
 Approved standards : UL508(CSA C22.2 No.14), UL1059, IEC 60947-5-1, GB/T 14048.5
 Hazardous substances : Corresponding RoSH and REACH
 Wire diameter : 16~26 AWG, 0.2~1.5mm²
 Stripping length : 8mm

RoHS
Compliant

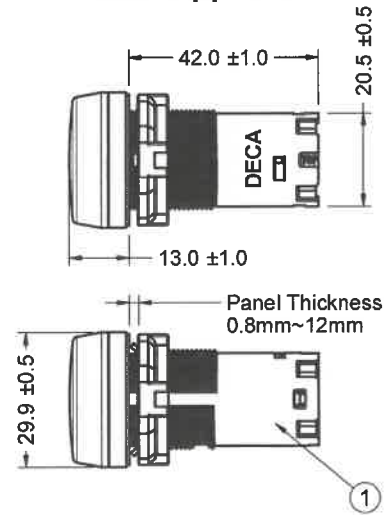


※The indicator voltage below 36V is not within the CCC certification scope.

Hole Dia



Product Appearance



Component

Item	Name	Material	Number
1	CP24P-3E□	—	1
2	Partition	PA66	1
3	Empty Contact	PA66+G20	1
4	SCP2-E00P	—	1
5	LED	—	1



DECA[®]SwitchLab Inc.			PART NAME	UNIT	SCALE
			CP2 Pilot Light	mm	0.6 : 1
DESIGN	CHECK	APPROVE	DRAWING NO.	SHEET	1 / 1
DATE 2022/11/11	DATE 2022/11/11	DATE 2022/11/11	CP24P-3E□□		