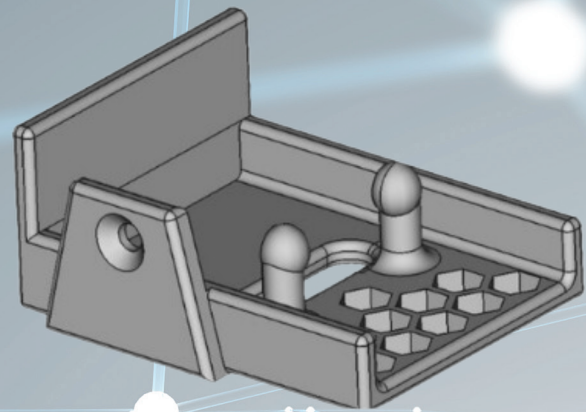
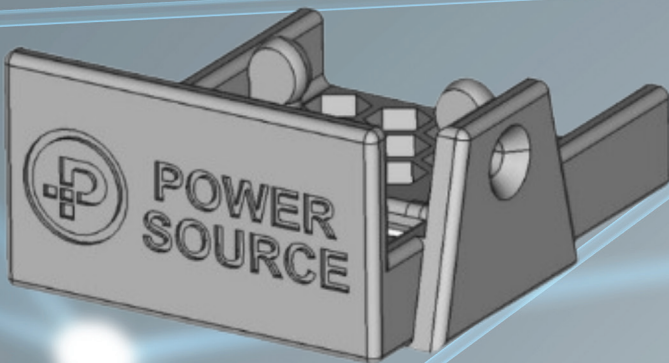
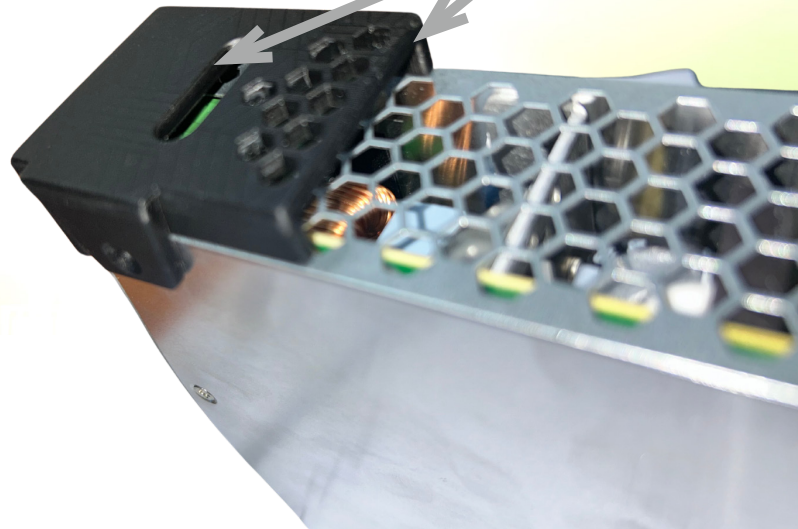
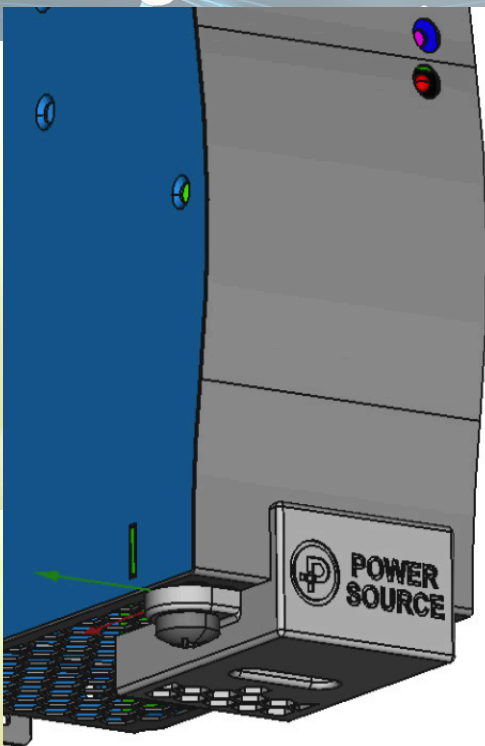


POWER SOURCE

AC Terminal Cover for NDR-120 Series



2 x Exit points for wiring



Snap on design*
Terminal labels remain visible

*Screw included