

POWER SOURCE



**1 YEAR
WARRANTY**

PLAC-2PEUR-C13IEC-1500

EUR 2 Pin 10A, Right Angled AC Power cord to IEC-C13 Plug

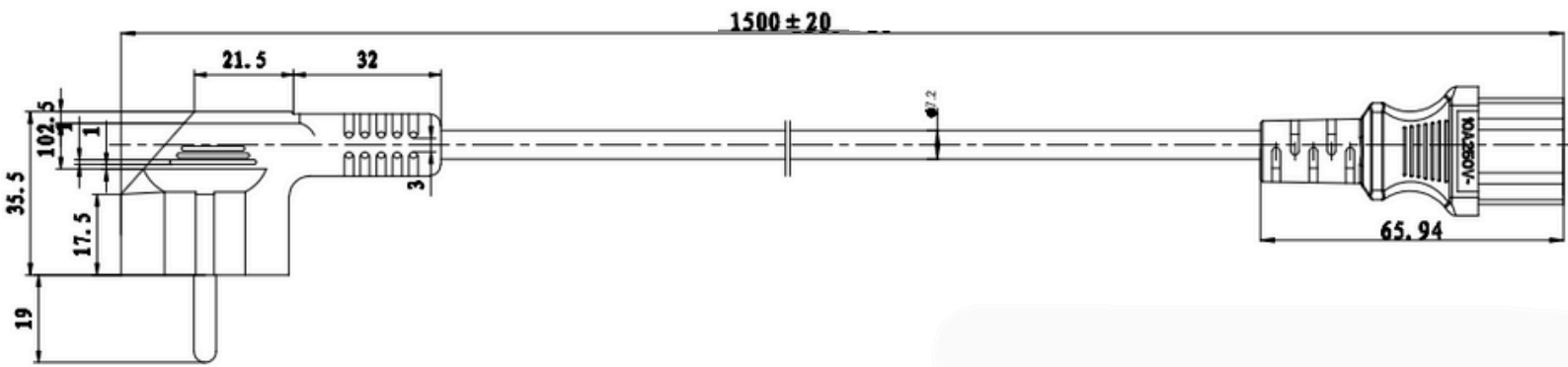
RCM Approved for Australian Market

Rating	10A	220-250V	Colour	Black
Conductor size	1.0mm ²		Warranty	1 Year
Outside Diameter	7.2MM±0.2MM		Connector A	EURO Mains plug
Withstand Voltage	2.0KV/1MIN		Connector B	IEC-C13
			Length	1.5m

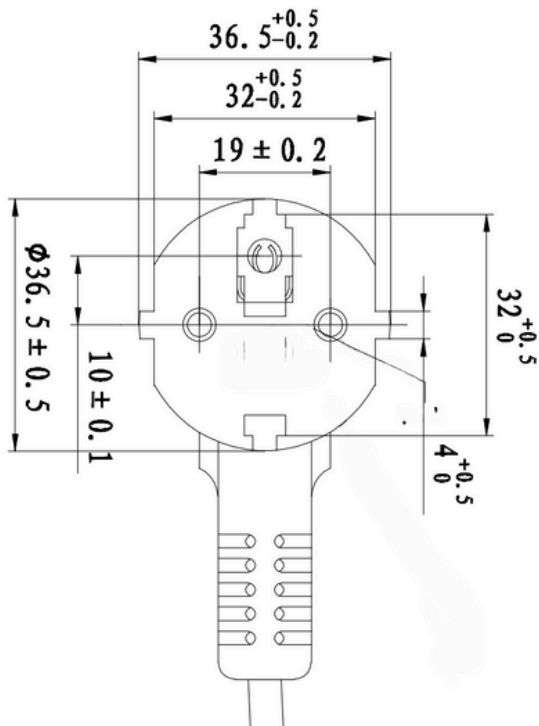


Australian Approvals

Cable



Connector A



Connector B

