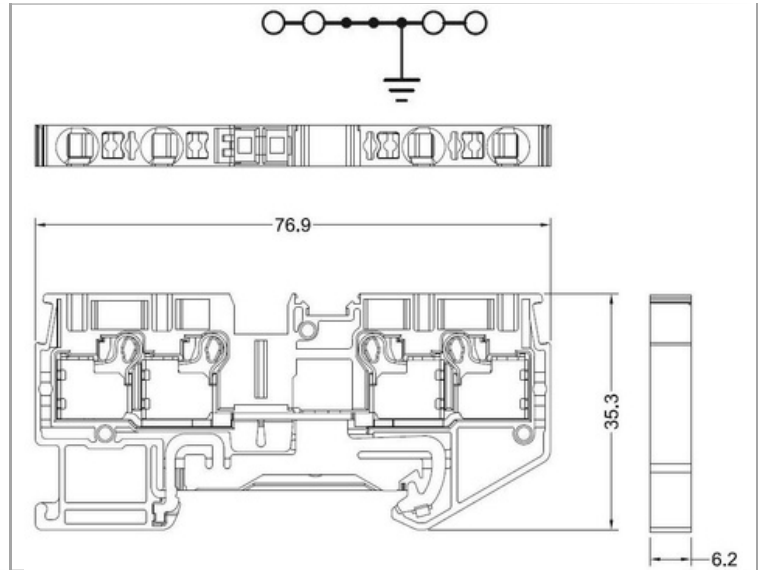
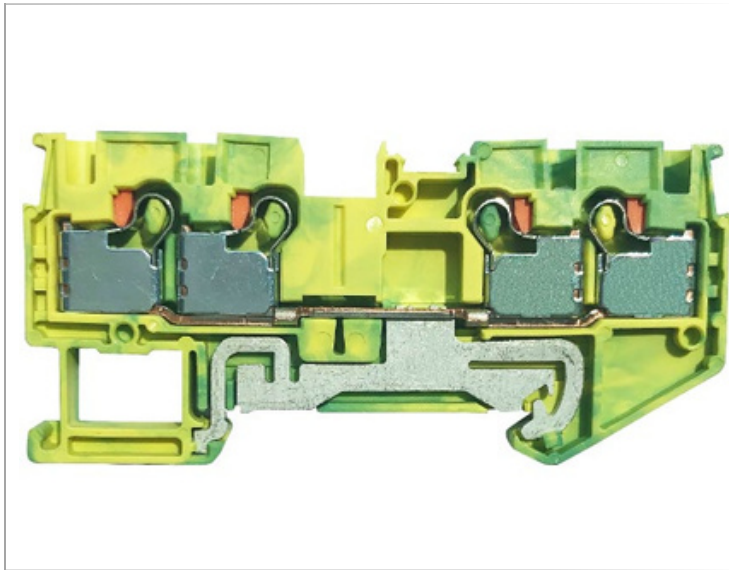




# DPT4/4-PE

PUSH IN

RoHS  
Compliant



## Product Description

## Standards and Regulations

IEC Connection data (60947-7-2) <b>CE</b>	
Nominal voltage UN	800V
mm <sup>2</sup> /AWG/kcmil	0.14 ~4.0
<b>UL Recognized</b>	
B	
Nominal voltage UN	600V
mm <sup>2</sup> /AWG/kcmil	24~10
C	
Nominal voltage UN	600V
mm <sup>2</sup> /AWG/kcmil	24~10
<b>cUL Recognized</b> <b>cRU<sup>®</sup>us</b>	
B	
Nominal voltage UN	600V
mm <sup>2</sup> /AWG/kcmil	24~10
C	
Nominal voltage UN	600V
mm <sup>2</sup> /AWG/kcmil	24~10
<b>Key Commercial Data</b>	
Packing unit	1 PCS
MOQ Minimum order quantity	50PCS
Weight per Piece (excluding packing)	17.15g
Country of origin	CN



## Material information

Insulating material	PA66
UL 94 Flammability rating according to UL	V0
Colour	
Continuous operating temp., max.	105°C
Continuous operating temp., min.	-40°C

## Dimensions

Width	76.9mm
Length	6.2mm
Height	35.3mm
Height NS 35/7,5	36.8mm
Height NS 35/15	44.3mm

## General information

Number of connections	4
Potentials	1
Nominal cross section	6.2mm
Installation Advice	Rail Mounting
Area of application	
Type of mounting	TS35/7.5 TS35/15
Rated surge voltage	8 Kv
Degree of pollution	3
Overvoltage category	III
Insulating material group	I
Open side panel	yes
Back of the hand protection	guaranteed
Finger protection	guaranteed

## Connection data

Connection	1
Connection method	Push in
Stripping length	10~12mm
For the wire end ferrules H1/10 and H1.5/10 of stripping length is to apply.	14mm
Solid conductor(mm <sup>2</sup> )	0.2 mm <sup>2</sup> ~4.0mm <sup>2</sup>
Solid conductor (AWG)	24~10AWG
Fine-stranded conductor(mm <sup>2</sup> )	0.2 mm <sup>2</sup> ~4.0mm <sup>2</sup>
Fine-stranded conductor (AWG)	24~10AWG
Wire connection cross-section, stranded conductor with wire-end ferrules DIN 46228/1	0.5 mm <sup>2</sup> ~4.0mm <sup>2</sup>
Wire connection cross-section, stranded conductor with wire-end ferrules DIN 46228/4	0.2 mm <sup>2</sup> ~4.0mm <sup>2</sup>
Blade size	0.4 x 3.5mm