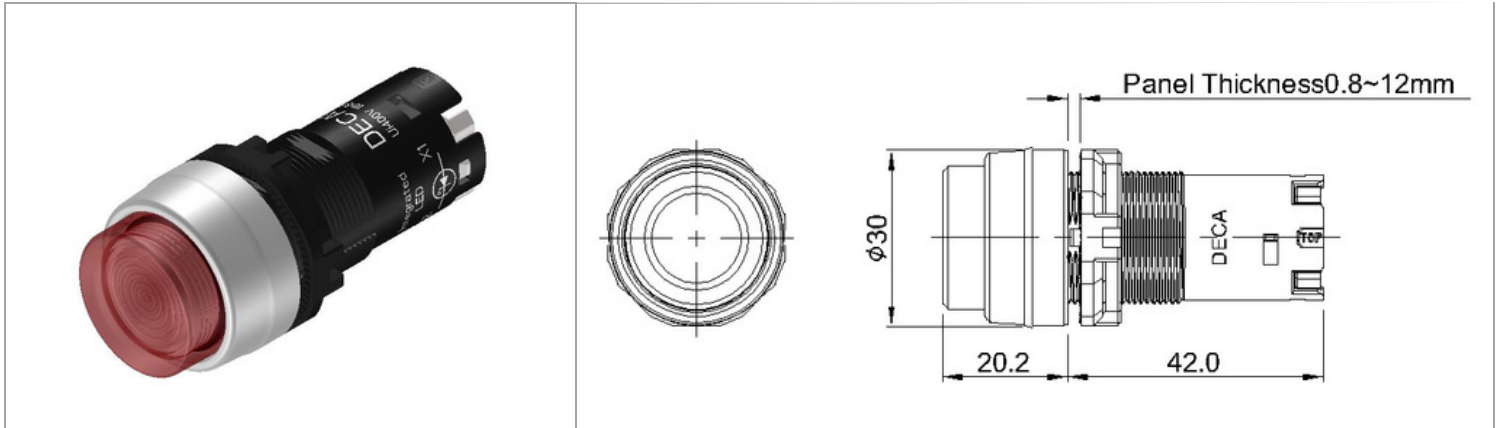


# CP24L-A2E ①②③



## Product Description

## Additional Information

Series	M22
Function	Compact
Type	Illuminated Pushbutton Switch
Bezel Material	Metal
Shape	Extended
Operator	Maintained
Block ①	10:1NO, 01:1NC
Voltage ②	Q2: AC/DC 6V, Q3: AC/DC 12V, Q4: AC/DC 24V, Q5: AC/DC 36V, Q6: AC/DC 48V, Q7: AC/DC 60V, Q11: AC 110V, Q22: AC 220V, Q38: AC 380V, Q41: AC 415V
Colour ③	A:Amber, R:Red, G:Green, S:Blue, Y:Yellow, W:White, PW:Pure White
Weight	22g
Wire Diameter	16~22AWG

## Product Specification

Rated Insulation Voltage (Ui)		400V				
Rated Thermal Current (Ith)		8A				
Rated Operational Voltage (Ue)		12V	30V	120V	240V	380V
AC 50/60HZ	Resistive Load (AC-12) (Ie)	8A	8A	8A	6A	3.8A
	Inductive Load (AC-15) (Ie)	8A	8A	6A	3A	1.9A
Rated Operational Voltage (Ue)		12V	30V	125V	250V	400V
DC	Resistive Load (DC-12) (Ie)	2.5A	2.5A	1.1A	0.55A	0.3A
	Inductive Load (DC-13) (Ie)	2.5A	2.3A	0.55A	0.27A	0.15A

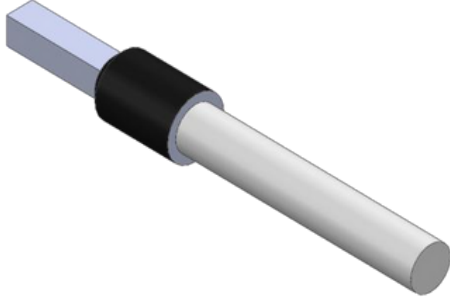
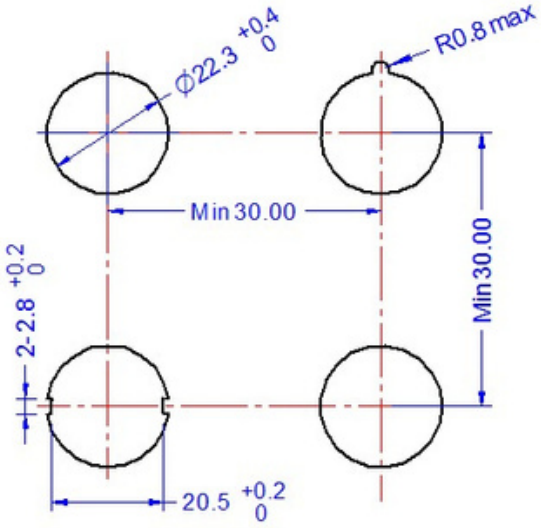
LED      LED Rate Current



Voltage						
	Green	Red	Blue	Yellow	Amber	White
AC/DC 6V	2.2	11	12	11	11	4.5
AC/DC 12V	2.2	10	12	10	10	4.5
AC/DC 24V	2.2	10	12	10	10	4.5
AC/DC 36V	2.1	9	8.9	9	9	4.4
AC/DC 48V	2.2	9.2	9.1	9.2	9.2	4.3
AC/DC 60V	2.1	8	7.9	8	8	4.4
AC 110V	3	10	10	10	10	6.8
AC 220V	2.1	10.3	10.3	10.3	10.3	5.8
AC 380V	2.1	7.8	7.8	7.8	7.8	4.9
AC 415V	2.2	8.2	8.2	8.2	8.2	5.1

Storage Temperature	-45°C to +85°C
Operating Temperature	-25°C to +70°C
Operating Humidity	45% to 85%
Degree of Protection	RH IP66

Degree of Pollution	3
Contact resistance	100mΩ max (at 1A, DC 6~8V)
Insulation resistance	100MΩ max (at DC 500V)
Dielectric Strength	AC 2000, 50/60Hz for 1min
Mechanical Life	500,000 operations
Electrical Life	100,000 operations
Electrical Durability	1,000,000 cycles, AC-15, 230V/1A, 3600 cyc/hr, load factor 0.5 1,000,000 cycles, DC-13, 24V/0.6A, 3600 cyc/hr, load factor 0.5
Shock Resistance - Operating Extremes	100 m/s <sup>2</sup>
Shock Resistance - Operating Extremes	1000 m/s <sup>2</sup>
Vibration Resistance - Operating Extremes	5 to 55Hz, Amplitude 0.5mm
Vibration Resistance - Damage Limits	30Hz, Amplitude 1.5mm
Operating Frequency	Instantaneous Maximum 60 operations per 1 min

Crimp Terminals Appearance	Mounting Hole Layout
	
Panel Thickness () Mounting Torque	0.8~12 mm 2 N.m

### Certificates

Certification Mark	
Approved Standards	IEC 60947-5, GB/T 14048.5, GB/T 6994(IEC 60092), UL1059, UL508(CSA C22.2 No.14).