



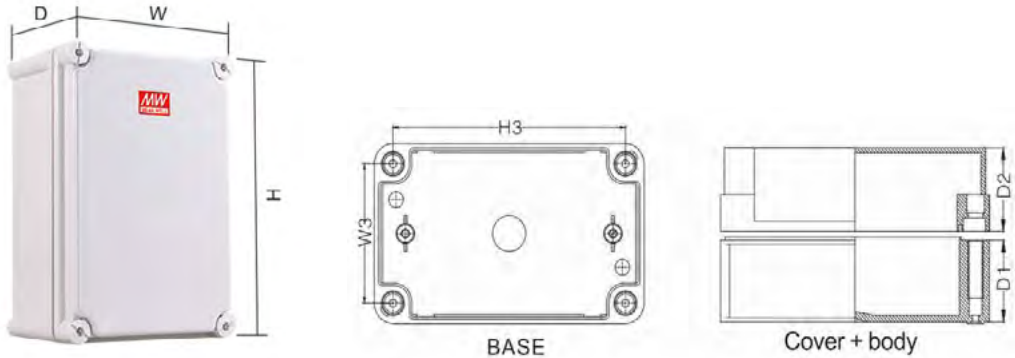
Distribution Box



Plastic Distribution Box

Features

- IP66 environmental-rated dust-tight and water-resistant and IK 9-rated impact-resistant
- Made of high-end PC (Polycarbonate) material with UL 94 5VA grade high-performance flame-retardant and suitable for outdoor use
- Applicable to ambient temperature $-40^{\circ}\text{C} \sim +80^{\circ}\text{C}$
- Comply with CE safety standards



Accessories



Plastic Mounting Plate



Wall brackets



Plastic Enclosure Screw

Part No.	Dimensions		Installation Size		Anti-collision Level	IP Level
	WxHxD	D1+D2	W3	H3		
TJ-AG-0609	65x95x55mm	40+15	50	79	IK9	66
TJ-AG-0811	80x110x70mm	50+20	62	92	IK9	66
TJ-AG-0825	80x250x70mm	50+20	62	232	IK9	66
TJ-AG-1212-S	125x125x75mm	55+20	105	105	IK9	66
TJ-AG-1212	125x125x100mm	80+20	105	105	IK9	66
TJ-AG-1217	125x175x75mm	50+25	109	157	IK9	66
TJ-AG-1417	140x170x95mm	75+20	122	152	IK9	66

Part No.	Dimensions		Installation Size		Anti-collision Level	IP Level
	WxHxD	D1+D2	W3	H3		
TJ-AG-1520	150x200x100mm	80+20	132	182	IK9	66
TJ-AG-1525	150x250x100mm	80+20	132	232	IK9	66
TJ-AG-1717	175x175x75mm	50+25	157	157	IK9	66
TJ-AG-2020	200x200x130mm	110+20	182	182	IK9	66
TJ-AG-2819	280x190x130mm	80+32	255	165	IK9	66
TJ-AG-3428	340x280x130mm	98+32	315	255	IK9	66
TJ-AG-3828	380x280x130mm	98+32	355	255	IK9	66