

POWER SOURCE



**1 YEAR
WARRANTY**

PLAC-3PAU-C13IEC-1800

AUS 3 Pin 10A, AC Power cord to IEC-C13 Plug

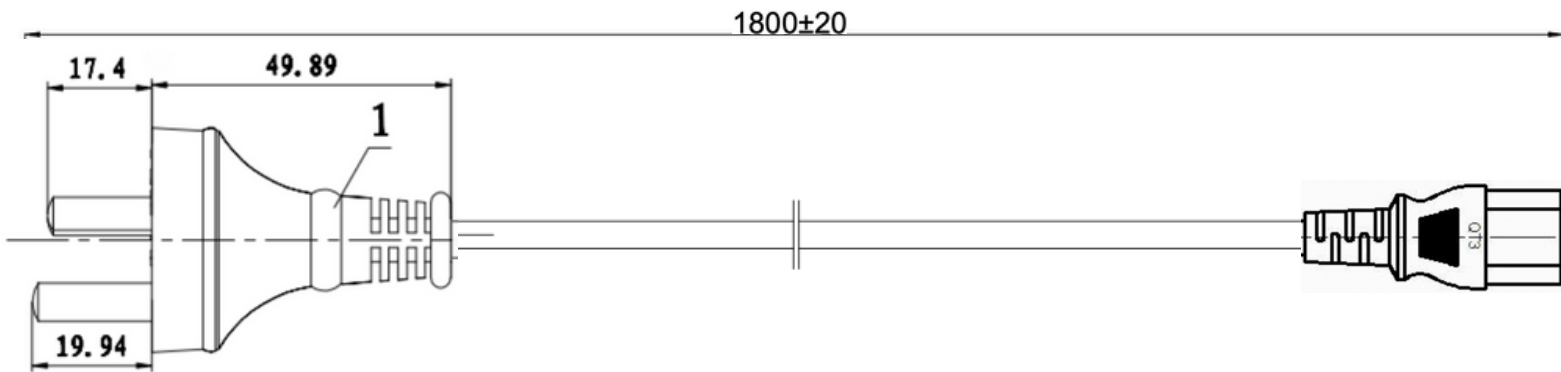
RCM Approved for Australian Market

| | | | | |
|-------------------|---------------------|----------|-------------|----------------|
| Rating | 10A | 220-250V | Colour | Black |
| Conductor size | 0.75mm ² | | Warranty | 1 Year |
| Outside Diameter | 6.55MM±0.2MM | | Connector A | AUS Mains plug |
| Withstand Voltage | 2.0KV/1MIN | | Connector B | IEC-C13 |
| Standard | AS/NZ3112 | | Length | 1.8m |

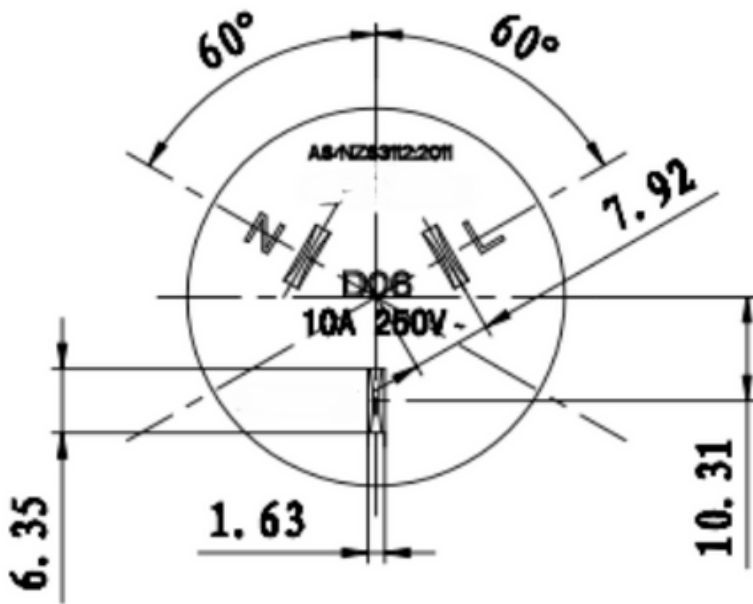


Australian
Approvals

Cable



Connector A



Connector B

