

■ Features :

- Universal AC input / Full range
- Built-in active PFC function, PF>0.96
- Protections: Short circuit / Overload / Over voltage
- Protections:Over temperature(option)
- Cooling by free air convection
- 100% full load burn-in test
- Fixed switching frequency at PFC:67KHz PWM:134KHz
- 3 years warranty



■ GTIN CODE

MW Search: <https://www.meanwell.com/serviceGTIN.aspx>

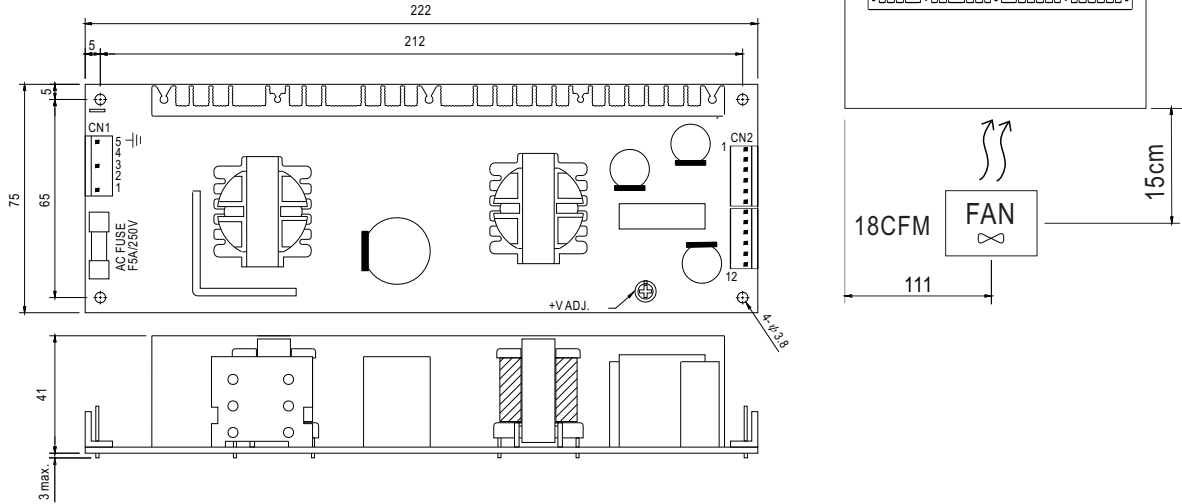


SPECIFICATION

| MODEL | LPP-150-3.3 | LPP-150-5 | LPP-150-7.5 | LPP-150-12 | LPP-150-13.5 | LPP-150-15 | LPP-150-24 | LPP-150-27 | LPP-150-48 | |
|-----------------------|--|---|-------------|---|--------------|----------------------|---------------|--------------|--------------|--------------|
| OUTPUT | DC VOLTAGE | 3.3V | 5V | 7.5V | 12V | 13.5V | 15V | 24V | 27V | 48V |
| | RATED CURRENT | 30A | 30A | 20A | 12.5A | 11.2A | 10A | 6.3A | 5.6A | 3.2A |
| | CURRENT RANGE | 0 ~ 30A | 0 ~ 30A | 0 ~ 20A | 0 ~ 12.5A | 0 ~ 11.2A | 0 ~ 10A | 0 ~ 6.3A | 0 ~ 5.6A | 0 ~ 3.2A |
| | RATED POWER | 99W | 150W | 150W | 150W | 151.2W | 150W | 151.2W | 151.2W | 153.6W |
| | RIPPLE & NOISE (max.) Note.2 | 100mVp-p | 100mVp-p | 100mVp-p | 100mVp-p | 100mVp-p | 100mVp-p | 150mVp-p | 150mVp-p | 250mVp-p |
| | VOLTAGE ADJ. RANGE | 3.14 ~ 3.63V | 4.75 ~ 5.5V | 7.13 ~ 8.25V | 11.4 ~ 13.2V | 12.8 ~ 14.9V | 14.3 ~ 16.5V | 22.8 ~ 26.4V | 25.7 ~ 29.7V | 45.6 ~ 52.8V |
| | VOLTAGE TOLERANCE Note.3 | ±2.0% | ±2.0% | ±2.0% | ±2.0% | ±2.0% | ±2.0% | ±1.0% | ±1.0% | ±1.0% |
| | LINE REGULATION | ±0.5% | ±0.5% | ±0.5% | ±0.5% | ±0.5% | ±0.5% | ±0.5% | ±0.5% | ±0.5% |
| | LOAD REGULATION | ±1.0% | ±1.0% | ±1.0% | ±1.0% | ±1.0% | ±1.0% | ±0.5% | ±0.5% | ±0.5% |
| | SETUP, RISE TIME | 600ms, 30ms at full load | | | | | | | | |
| HOLD UP TIME (Typ.) | 30ms at full load | | | | | | | | | |
| INPUT | VOLTAGE RANGE | 85 ~ 264VAC | | 120 ~ 370VDC | | | | | | |
| | FREQUENCY RANGE | 47 ~ 63Hz | | | | | | | | |
| | POWER FACTOR | PF ≥ 0.96/230VAC | | PF ≥ 0.97/115VAC at full load | | | | | | |
| | EFFICIENCY(Typ.) | 70% | 76% | 80% | 82% | 83% | 83% | 85% | 85% | 85% |
| | AC CURRENT (Typ.) | 2.5A/115VAC | | 1.2A/230VAC | | | | | | |
| | INRUSH CURRENT (Typ.) | COLD START 55A/230VAC | | | | | | | | |
| | LEAKAGE CURRENT | <3.5mA / 240VAC | | | | | | | | |
| PROTECTION | OVERLOAD | 105 ~ 150% rated output power Protection type : Constant current limiting, recovers automatically after fault condition is removed | | | | | | | | |
| | OVER VOLTAGE | 3.63 ~ 4.45V | 5.5 ~ 6.75V | 8.25 ~ 10.1V | 13.2 ~ 16.2V | 14.85 ~ 18.2V | 16.5 ~ 20.25V | 26.4 ~ 32.4V | 29.7 ~ 36.5V | 52.8 ~ 64.8V |
| ENVIRONMENT | WORKING TEMP. | -10 ~ +60°C with cooling FAN (Refer to "Derating Curve") | | | | | | | | |
| | WORKING HUMIDITY | 20 ~ 90% RH non-condensing | | | | | | | | |
| | STORAGE TEMP., HUMIDITY | -20 ~ +85°C, 10 ~ 95% RH | | | | | | | | |
| | TEMP. COEFFICIENT | ±0.05%/°C (0 ~ 50°C) | | | | | | | | |
| | VIBRATION | 10 ~ 500Hz, 2G 10min./1cycle, period for 60min. each along X, Y, Z axes | | | | | | | | |
| SAFETY & EMC (Note 4) | SAFETY STANDARDS | UL62368-1, TUV BS EN/EN62368-1, EAC TP TC 004 approved | | | | | | | | |
| | WITHSTAND VOLTAGE | I/P-O/P:3KVAC | | I/P-FG:2KVAC | | O/P-FG:0.5KVAC | | | | |
| | ISOLATION RESISTANCE | I/P-O/P, I/P-FG, O/P-FG:100M Ohms / 500VDC / 25°C / 70% RH | | | | | | | | |
| | EMC EMISSION | Compliance to BS EN/EN55032 (CISPR32) Class B, BS EN/EN61000-3-2,-3, EAC TP TC 020 | | | | | | | | |
| | EMC IMMUNITY | Compliance to BS EN/EN61000-4-2,3,4,5,6,8,11, BS EN/EN55035, light industry level, EAC TP TC 020 | | | | | | | | |
| OTHERS | MTBF | 2635.3K hrs min. | | Telcordia SR-332 (Bellcore) ; 292.7K hrs min. | | MIL-HDBK-217F (25°C) | | | | |
| | DIMENSION | 222*75*41mm (L*W*H) | | | | | | | | |
| | PACKING | 0.62Kg; 24pcs/16.6Kg/1.63CUFT | | | | | | | | |
| NOTE | <p>1. All parameters NOT specially mentioned are measured at 230VAC input, rated load and 25°C of ambient temperature.</p> <p>2. Ripple & noise are measured at 20MHz of bandwidth by using a 12" twisted pair-wire terminated with a 0.1 μ F & 47 μ F parallel capacitor.</p> <p>3. Tolerance : includes set up tolerance, line regulation and load regulation.</p> <p>4. The power supply is considered a component which will be installed into a final equipment. All the EMC tests are been executed by mounting the unit on a 360mm*360mm metal plate with 1mm of thickness. The final equipment must be re-confirmed that it still meets EMC directives. For guidance on how to perform these EMC tests, please refer to "EMI testing of component power supplies." (as available on https://www.meanwell.com/Upload/PDF/EMI_statement_en.pdf)</p> <p>5. The ambient temperature derating of 3.5°C/1000m with fanless models and of 5°C/1000m with fan models for operating altitude higher than 2000m(6500ft).</p> <p>※ Product Liability Disclaimer : For detailed information, please refer to https://www.meanwell.com/serviceDisclaimer.aspx</p> | | | | | | | | | |

Mechanical Specification

(Unit: mm , tolerance ± 1 mm)



AC Input Connector (CN1) : JST B5P-VH or equivalent

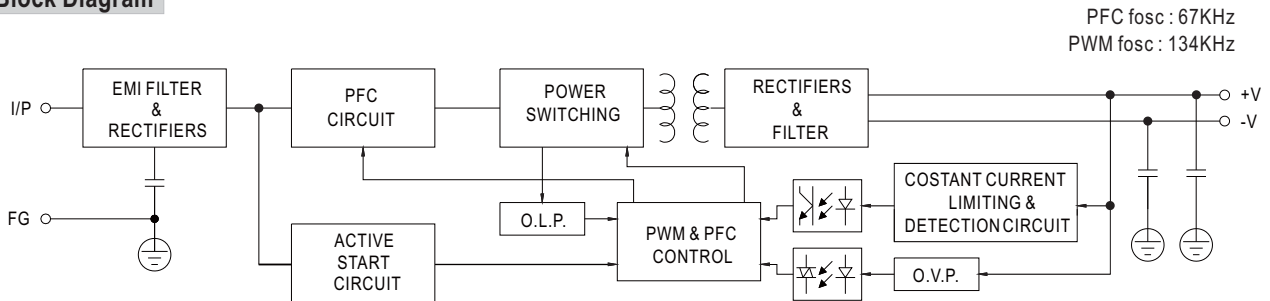
| Pin No. | Assignment | Mating Housing | Terminal |
|---------|------------|-----------------------|--------------------------------|
| 1 | AC/L | JST VHR or equivalent | JST SVH-21T-P1.1 or equivalent |
| 2,4 | No Pin | | |
| 3 | AC/N | | |
| 5 | FG \perp | | |

DC Output Connector (CN2) : JST B6P-VH*2 or equivalent

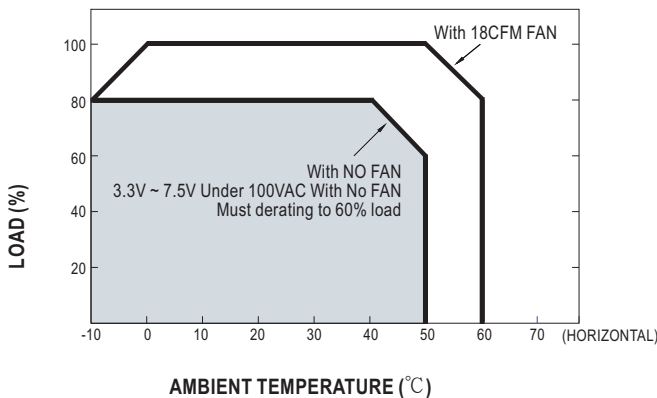
| Pin No. | Assignment | Mating Housing | Terminal |
|---------|------------|-----------------------|--------------------------------|
| 1~6 | -V | JST VHR or equivalent | JST SVH-21T-P1.1 or equivalent |
| 7~12 | +V | | |

\perp : Grounding Required
CN1: Pin 5 is safety ground

Block Diagram



Derating Curve



Output Derating VS Input Voltage

