

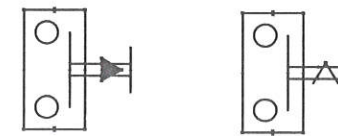
Type No. :

F12S1- □ 214 □ FS1003

RoHS
Compliant

□: Function — 1: Momentary
 □: LED Color — G: Green
 R: Red
 A: Amber
 B: Blue
 W: White
 LED Voltage — 4:24V
 Material / Finish — S: Stainless Steel
 Direction function — 1: with fixed position
 Mark — 003: Power

Electrical Diagram

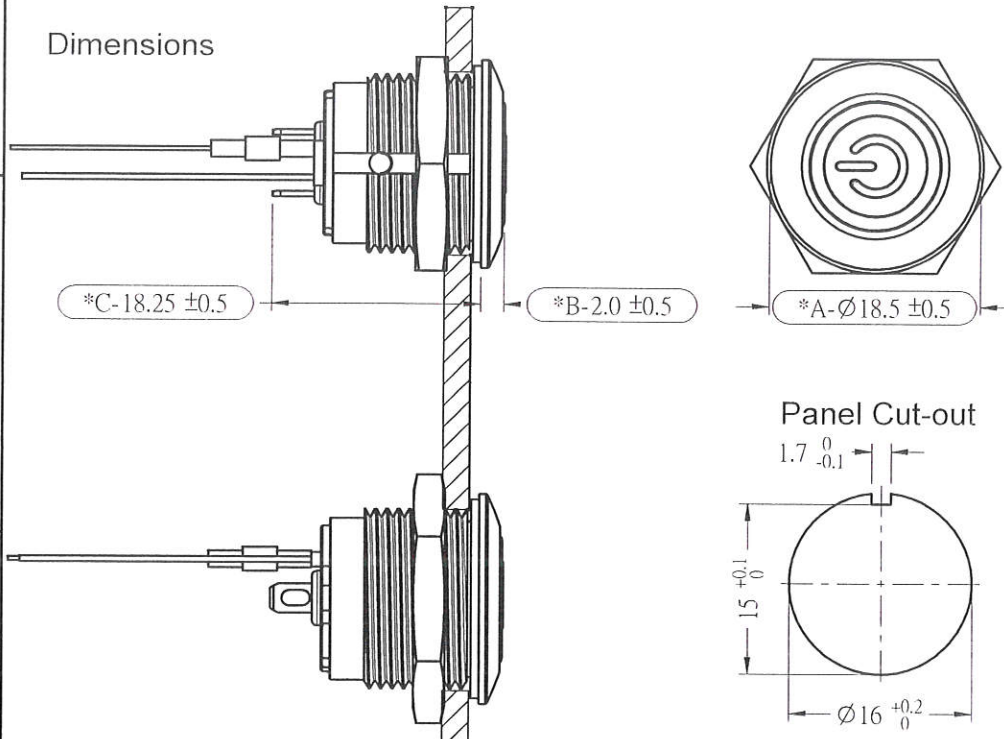


Momentary Maintained

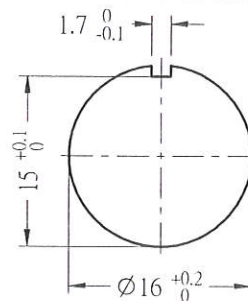


Terminal : Solder
 Mechanical lifetime : >50,000 operations
 Electrical lifetime : >50,000 operations
 Electric rating : 48V DC 100mA
 Dielectric Strength : 1000V AC 60Hz 1min.
 Insulation Resistance : 100MΩ
 Panel thickness : 0.5mm~3mm
 Degree of protection : IP67
 Operating temperature : -25°C to 50°C
 Contact resistance : 50mΩ (initial)

Dimensions



Panel Cut-out



A
REV.

DECA SwitchLab Inc.			PART NAME	UNIT	SCALE
			F12S1-x214xFS1003	MM	
DESIGN	CHECK	APPROVE	DRAWING NO.		SHEET
DATE	DATE	DATE	F12S1-x214xFS1003		1 / 1
2021/05/03	2021/05/03	2021/05/03			