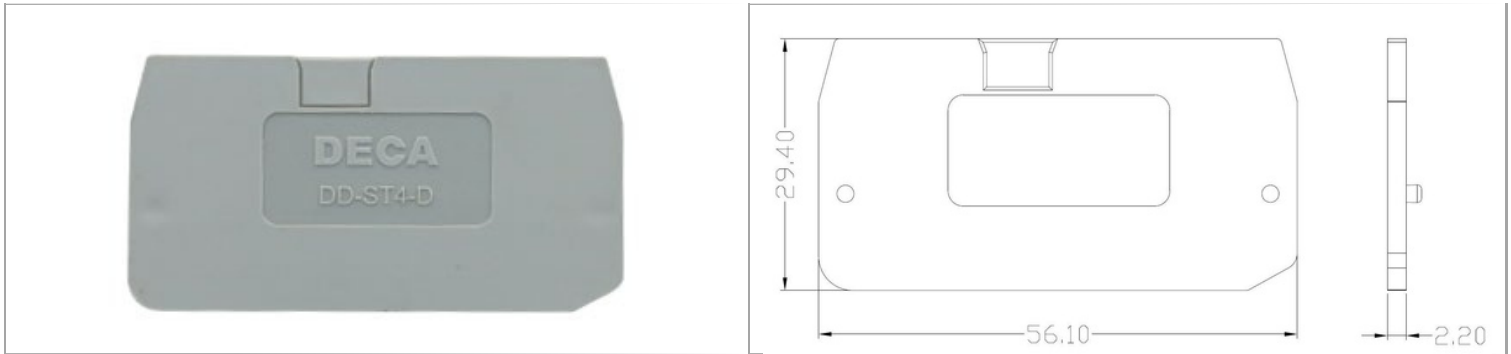


DD-PT4-D

RoHS
Compliant




Product Description

Key Commercial Data

Packing unit	1 PCS
MOQ Minimum order quantity	50PCS
Weight per Piece (excluding packing)	2.21g
Country of origin	CN

Material information

Insulating material	PA66
UL 94 Flammability rating according to UL	V0
Colour	
Continuous operating temp., max.	105 °C
Continuous operating temp., min.	-40 °C

Dimensions

Width	2.20mm
Length	56.10mm
Height	29.40mm

General information

Terminal Blocks of application	DPT4
--------------------------------	------