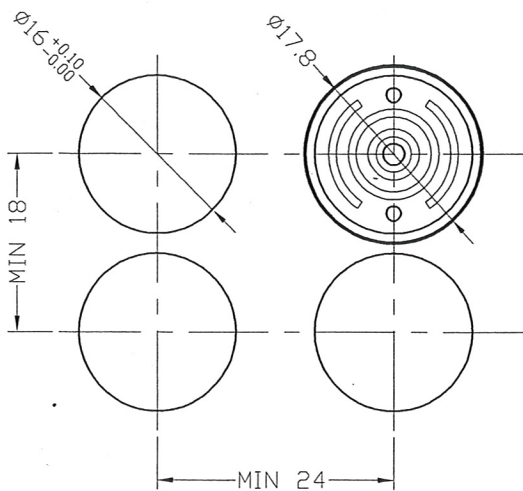
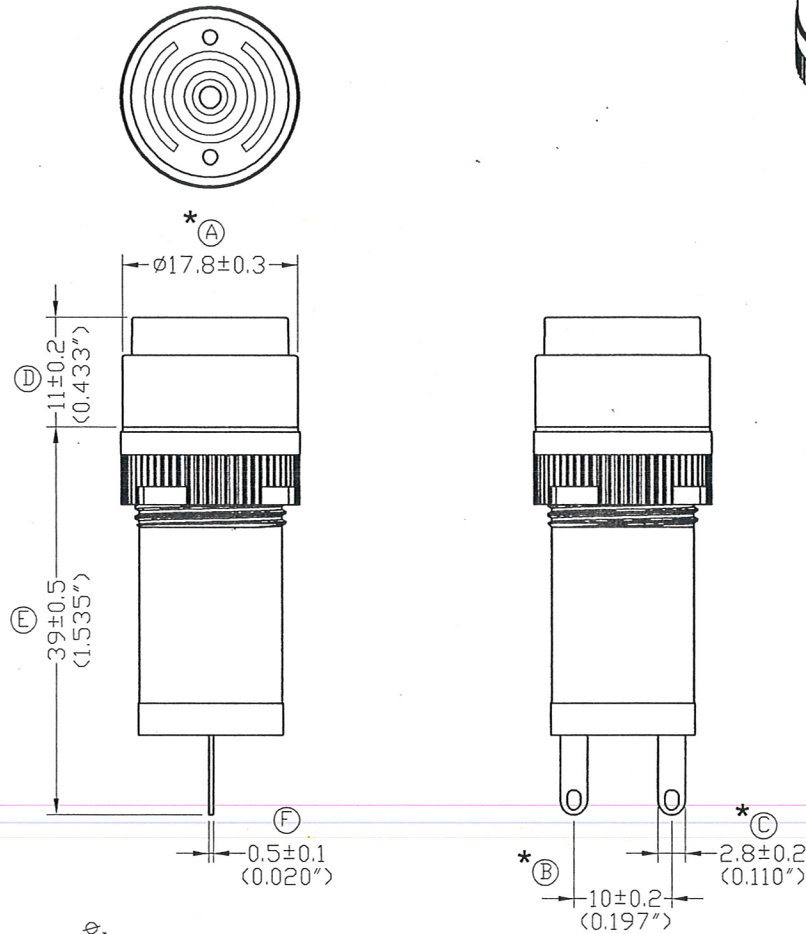
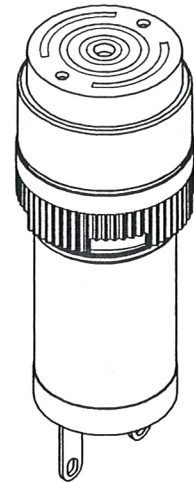


ADP16B4-0R0-0240



文件管制
 JUL 26. 2012
文管中心

Current rating : 3Amp DC12~24V
 Operation temperature : -25°C to +55°C
 Electrical lifetime : 1000hr
 Sound pressure : 80db
 Terminal : soldering type / plug-in type
 Wire range : 1x1.5mm² max.
 Cable range : 2x0.75mm² / 1x1.0mm² max.
 Voice : Intermittent tone

DECA
 SwitchLab
Switchlab INC.

PART NO.	ADP16B4-0R0-0240				VERSION	B	CONFIRMED BY	<i>Wladimir</i>
SHEET OF	2/2	METRIC	MM	DRAWN BY	<i>Tom</i>	DATE	2012/07/26	GENERAL MANAGER