

POWER SOURCE



**1 YEAR
WARRANTY**

PLAC-3PAU-C5IEC-500

AUS 3 Pin 10A, AC Power cord to IEC-C5 Plug

RCM Approved for Australian Market

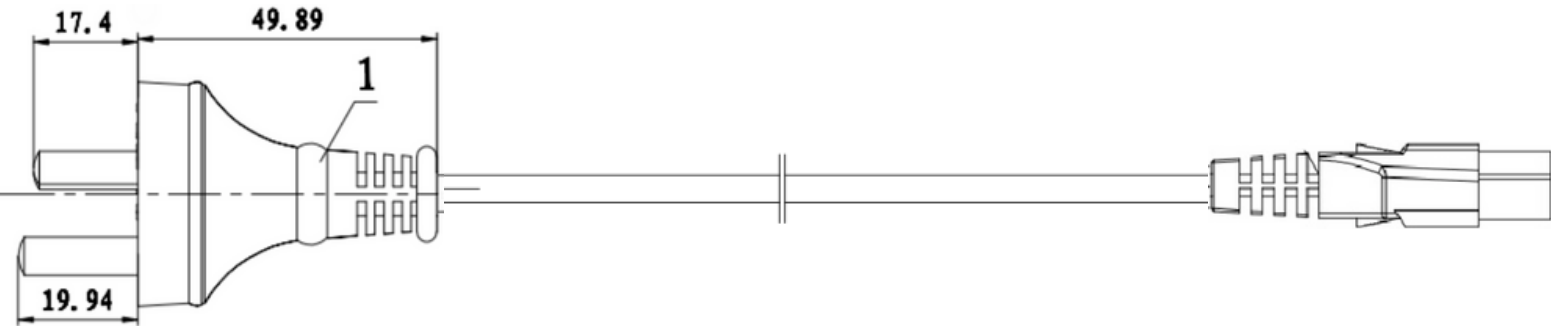
Rating	10A	220-250V	Colour	Black
Conductor size	0.75mm ²		Warranty	1 Year
Outside Diameter	6.55MM±0.2MM		Connector A	AUS Mains plug
Withstand Voltage	2.0KV/1MIN		Connector B	IEC-C5
Standard	AS/NZ3112		Length	1.8m



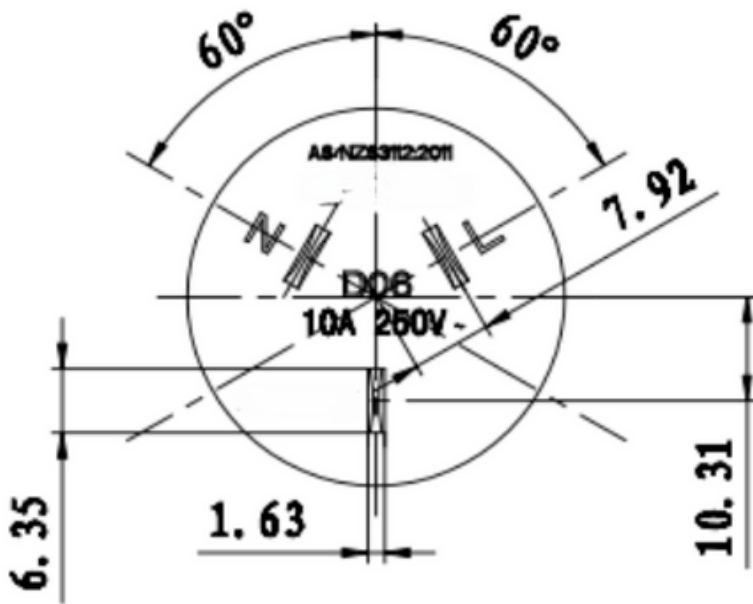
Australian
Approvals

Cable

1800±20



Connector A



Connector B

