

# POWER SOURCE



## PLDC-P1MS-P1MP-F8-1500

DC Extension Lead

100% Tested Functional

RoHS Compliant

**1 YEAR  
WARRANTY**



<b>Cable Size</b>	20AW	<b>Length</b>	1.5m
<b>Connector A</b>	2.5/5.5mm Socket	<b>Connector B</b>	2.5/5.5mm Plug
<b>Max Rating</b>	7A	<b>Wire Colour</b>	Black
<b>Insulation Resistance</b>	10M $\Omega$ MIN / DV 300V / 10ms	<b>Conducting Resistance</b>	5 OHM Max

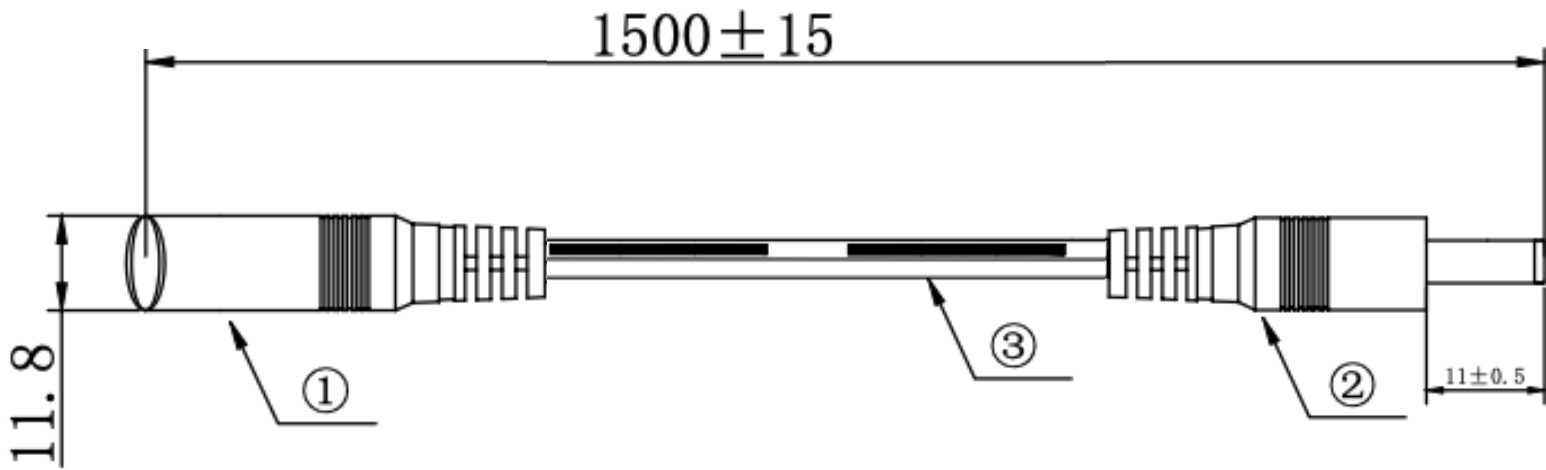
ADM SYSTEMS GROUP

T +61 1300 236 467

F +61 9551 6977

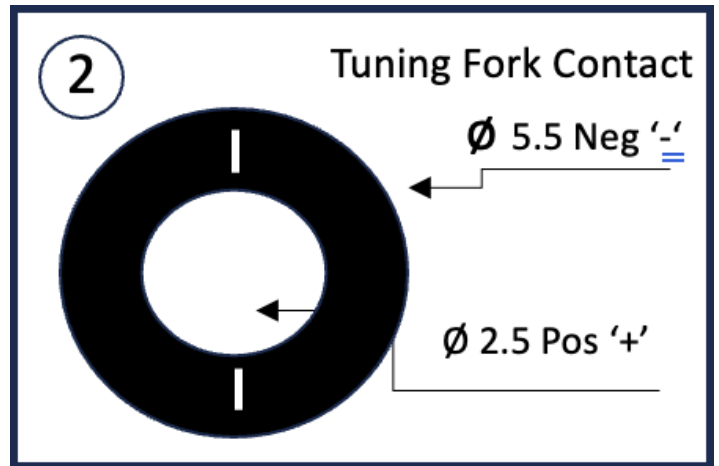
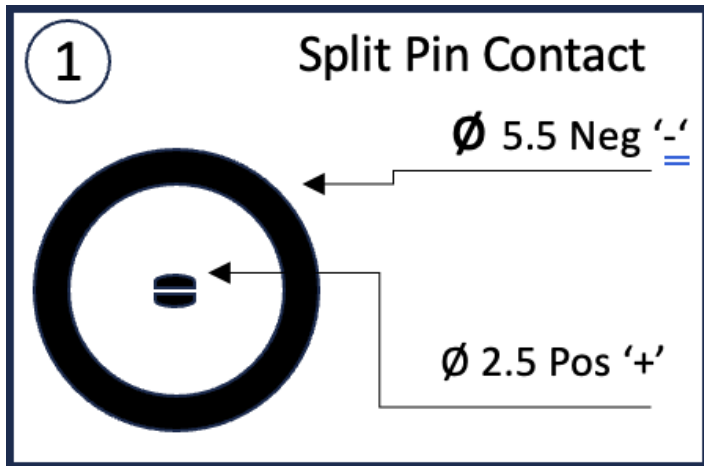
E [sales@admtech.com.au](mailto:sales@admtech.com.au) W [www.admtech.com.au](http://www.admtech.com.au)





Connector A

Connector B



①	CONN	SPLIT PIN CONTACT FEMALE
②	CONN	TUNING FORK CONTACT MALE
③	CABLE	UL2468#20AWG*2F, BLACK PVC, OD: 1. 8*3. 6MM, L= 1500MM