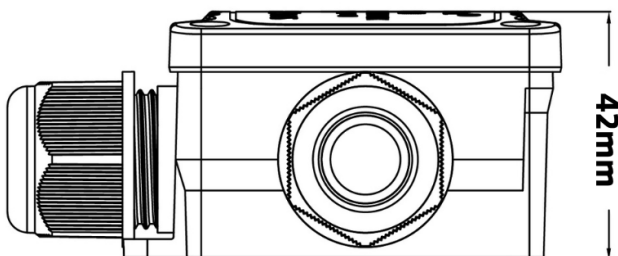
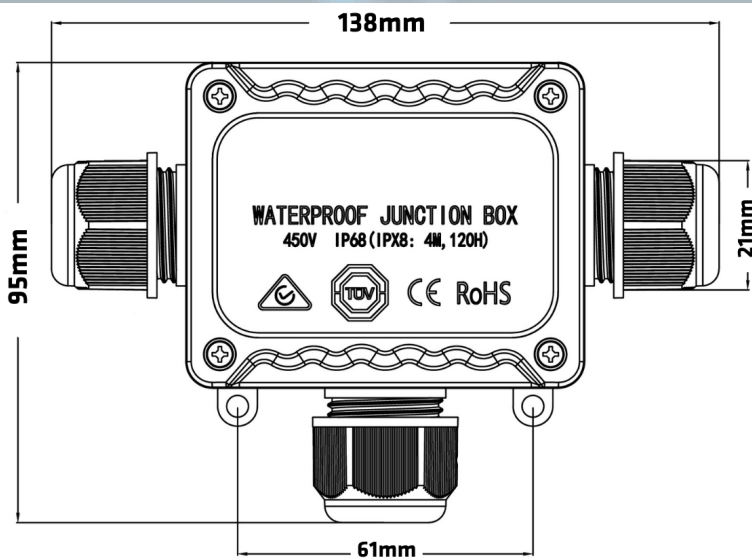


WB3-SC WATERPROOF JUNCTION BOX



**3 YEAR
WARRANTY**



Features of the: WB3-SC

Voltage Rating	450V
Current Rating Per Pin	40A
Wire OD	9MM-12MM
Seal O-Rng Type	Silicon
Operating Temp. Range	-40°C ~ +105°C
IP Rating	IP68
Contact Resistance	≤ 5Ω
Shell Material	Nylon (PA66)