

Features

- 85~264Vac input range
- Global certificates in multi-fields (ITE 62368-1, Industrial 61558-1/-2-16, 61010)
- 30mm slim width
- High efficiency up to 91% and no load power dissipation <1W
- Built-in constant current limiting circuit
- Protections: Short circuit / Overload / Over voltage / Over temperature
- Fanless design, cooling by free air convection
- Over voltage category III (OVC III)
- -40~+70°C wide range operation temperature (>+50°C derating)
- Operating altitude up to 5000 meters
- Built-in DC OK relay contact
- Can be installed on DIN rail TS-35/7.5 or 15
- 3 years warranty

Applications

- Industrial control system
- Semiconductor fabrication equipment
- Factory automation
- Electro-mechanical apparatus
- Battery charger

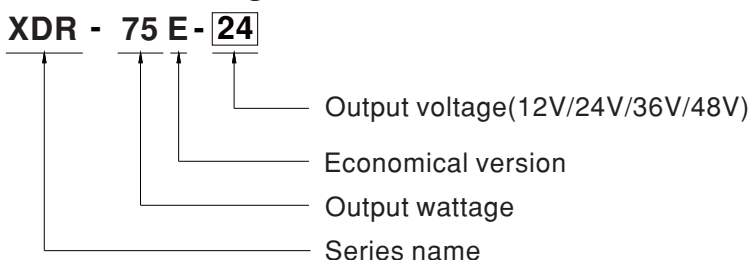
GTIN CODE

MW Search: <https://www.meanwell.com/serviceGTIN.aspx>

Description

The XDR-75E series is a 75W AC/DC economical ultra slim industrial DIN rail power. Key features of this series include a narrow 30mm casing, optimizing system installation space, and an ultra-wide input range of 85~264Vac suitable for global use. It boasts a maximum efficiency of 91% and a low standby power consumption <1W for energy savings and carbon reduction. It has built-in constant current, fanless design, a wide operating temperature range of -40 to +70°C (up to +50°C at full load); OVCIII compliance; built-in DC OK signal. With comprehensive protection functions, complete safety certifications, and a 3-years warranty, the XDR-75E series is a compact, high-performance, and highly reliable DIN rail power supply.

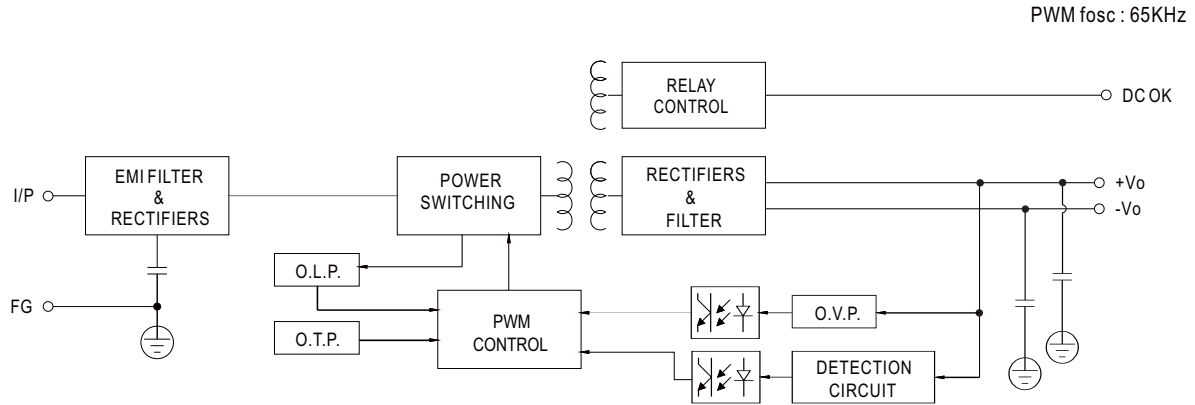
Model Encoding



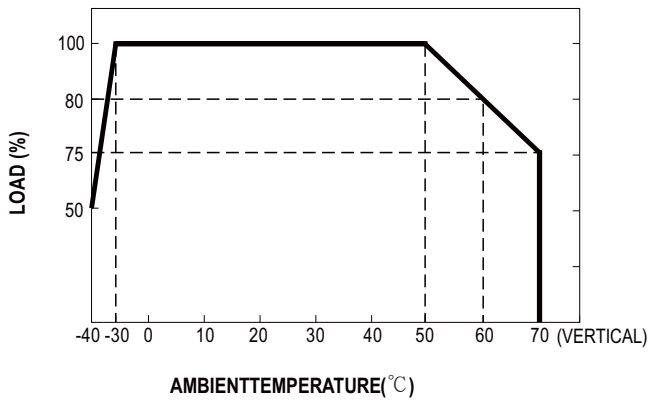
SPECIFICATION

MODEL	XDR-75E-12	XDR-75E-24	XDR-75E-36	XDR-75E-48	
OUTPUT	DC VOLTAGE	12V	24V	36V	48V
	RATED CURRENT	6.3A	3.2A	2.1A	1.6A
	CURRENT RANGE	0 ~ 6.3A	0 ~ 3.2A	0 ~ 2.1A	0 ~ 1.6A
	RATED POWER	75.6W	76.8W	75.6W	76.8W
	RIPPLE & NOISE (max.) <small>Note.2</small>	100mVp-p	100mVp-p	120mVp-p	120mVp-p
	VOLTAGE ADJ. RANGE	12 ~ 15V	24 ~ 29V	36 ~ 42V	48 ~ 55V
	VOLTAGE TOLERANCE <small>Note.3</small>	± 2.0%	± 1.0%	± 1.0%	± 1.0%
	LINE REGULATION	± 0.5%	± 0.5%	± 0.5%	± 0.5%
	LOAD REGULATION	± 1.0%	± 1.0%	± 1.0%	± 1.0%
	SETUP, RISE TIME	1200ms, 60ms/230Vac 2500ms, 60ms/115Vac at full load			
	HOLD UP TIME (Typ.)	16ms/230Vac 10ms/115Vac at full load			
INPUT	AC VOLTAGE RANGE	85 ~ 264Vac			
	DC VOLTAGE RANGE	120 ~ 370Vdc			
	NO LOAD POWER CONSUMPTION (Typ.)	0.7W @115Vac & 230Vac		1W @115Vac & 230Vac	
	FREQUENCY RANGE	47 ~ 63Hz			
	EFFICIENCY (Typ.)	89%	90%	91%	91%
	AC CURRENT (Typ.)	1.4A/115Vac 0.8A/230Vac			
	INRUSH CURRENT (Typ.)	COLD START 18A/115Vac 35A/230Vac			
	LEAKAGE CURRENT	<1mA/240Vac			
PROTECTION	OVERLOAD	105-130% rated output power, constant current limiting without shutdown , recovers automatically after fault condition is removed			
	OVER VOLTAGE	15 ~ 18V	30 ~ 34V	43 ~ 50V	56 ~ 65V
		Protection type : Shut down o/p voltage, re-power on to recover			
	OVER TEMPERATURE Protection type : Hiccup mode, recovers automatically after fault condition is removed				
FUNCTION	DC OK RELAY CONTACT	Relay Contact Ratings (max.):30Vdc/1A, 30Vac/0.5A resistive load			
ENVIRONMENT	WORKING TEMP.	-40 ~ +70°C (Refer to "Derating Curve")			
	WORKING HUMIDITY	20 ~ 95% RH non-condensing			
	STORAGE TEMP., HUMIDITY	-40 ~ +85°C, 10 ~ 95% RH non-condensing			
	TEMP. COEFFICIENT	± 0.03% /°C (0 ~ 50°C)			
	VIBRATION	Component:10 ~ 500Hz, 2G 10min./1cycle, 60min. each along X, Y, Z axes; Mounting: Compliance to IEC60068-2-6			
SAFETY & EMC (Note 6)	SAFETY STANDARDS	UL61010; TUV BS EN/EN62368-1, BS EN/EN61558-1/-2-16, BS EN/EN61010; CB IEC62368-1, IEC61558-1, IEC61010; RCM AS/NZS 62368-1, AS/NZS 61558-1/-2-16; BSMI CNS15598-1; CCC GB4943.1; EAC TPTC004 approved; KC KC62368-1 and BIS IS13252 (Part 1):2010 certified, no stock ,contact sale for inquires			
	OVER VOLTAGE CATEGORY <small>Note.4</small>	IEC/EN 61558-1/-2-16 (OVC III, altitude up to 2000m) IEC/EN/UL 61010 (OVC II, altitude up to 5000m) IEC/EN 62368-1 (OVC II, altitude up to 5000m)			
	SAFETY EXTRA-LOW VOLTAGE(SELV)	IEC/EN 61558-2-16 (SELV) IEC/EN/UL 61010-2-201 (SELV) IEC/EN 62368-1 (SELV / ES1)			
	WITHSTAND VOLTAGE	I/P-O/P: 4KVac I/P-FG: 2KVac O/P-FG: 1.5KVac O/P-DC OK: 0.5KVac			
	ISOLATION RESISTANCE	I/P-O/P, I/P-FG, O/P-FG: 100M Ohms/500VDC/25°C/ 70%RH			
	EMC EMISSION	Parameter	Standard		Test Level / Note
		Conducted	BS EN/EN55032 (CISPR32) / CNS15936		Class B
		Radiated	BS EN/EN55032 (CISPR32) / CNS15936		Class B
		Harmonic Current	BS EN/EN61000-3-2		Class A
		Voltage Flicker	BS EN/EN61000-3-2		----
	EMC IMMUNITY	BS EN/EN55035 , BS EN/EN61204-3, BS EN/EN61000-6-2(BS EN/EN50082-2)			
		Parameter	Standard		Test Level / Note
		ESD	BS EN/EN61000-4-2		Level 3, 8KV air ; Level 3, 4KV contact; criteria A
Radiated		BS EN/EN61000-4-3		Level 3, 10V/m ; criteria A	
EFT / Burst		BS EN/EN61000-4-4		Level 2, 2KV ; criteria A	
Surge		BS EN/EN61000-4-5		Level 4, 2KV/Line-Line ;Level 4, 4KV/Line-Line-Chassis ;criteria A	
Conducted		BS EN/EN61000-4-6		Level 3, 10V ; criteria A	
Magnetic Field	BS EN/EN61000-4-8		Level 4, 30A/m ; criteria A		
OTHERS	MTBF	2425.7K hrs min. Telcordia SR-332 (Bellcore) ; 533.7K hrs min. MIL-HDBK-217F (25°C)			
	DIMENSION	30*125.2*116mm (W*H*D)			
	PACKING	400g; 24pcs/10.6Kg/1.27CUFT			
NOTE	<p>1. All parameters NOT specially mentioned are measured at 230Vac input, rated load and 25°C of ambient temperature.</p> <p>2. Ripple & noise are measured at 20MHz of bandwidth by using a 12" twisted pair-wire terminated with a 0.1 μ F & 47 μ F parallel capacitor.</p> <p>3. Tolerance : includes set up tolerance, line regulation and load regulation.</p> <p>4. The ambient temperature derating of 3.5°C/1000m with fanless models and of 5°C/1000m with fan models for operating altitude higher than 2000m(6500ft).</p> <p>5. Installation clearances : 40mm on top, 20mm on the bottom, 5mm on the left and right side are recommended when loaded permanently with full power. In case the adjacent device is a heat source, 15mm clearance is recommended.</p> <p>6. The power supply is considered a component which will be installed into a final equipment. The final equipment must be re-confirmed that it still meets EMC directives. (as available on https://www.meanwell.com/Upload/PDF/EMI_statement_en.pdf)</p> <p>※ Product Liability Disclaimer : For detailed information, please refer to https://www.meanwell.com/serviceDisclaimer.aspx</p>				

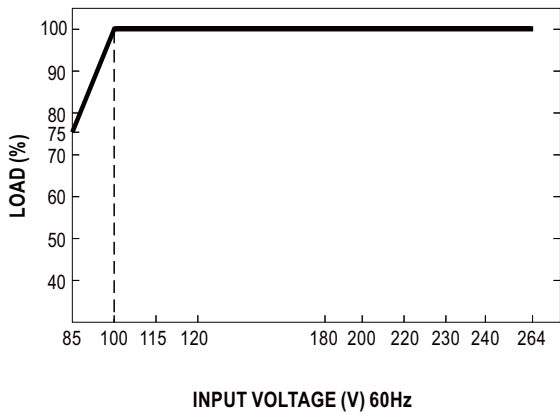
■ Block Diagram



■ Derating Curve



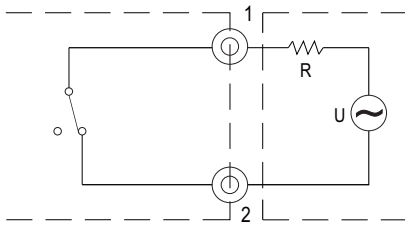
■ Static Characteristics



■ **Function Manual**

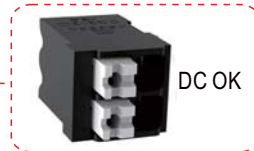
1. DC OK Relay Contact

Contact Close	PSU turns ON / DC OK.
Contact Open	PSU turns OFF / DC Fail.
Contact Ratings (max.)	30Vdc/1A, 30Vac/0.5A resistive load.



External voltage source (U) and resistor (R)
(The max. Sink is 30Vdc/1A, 30Vac/0.5A)

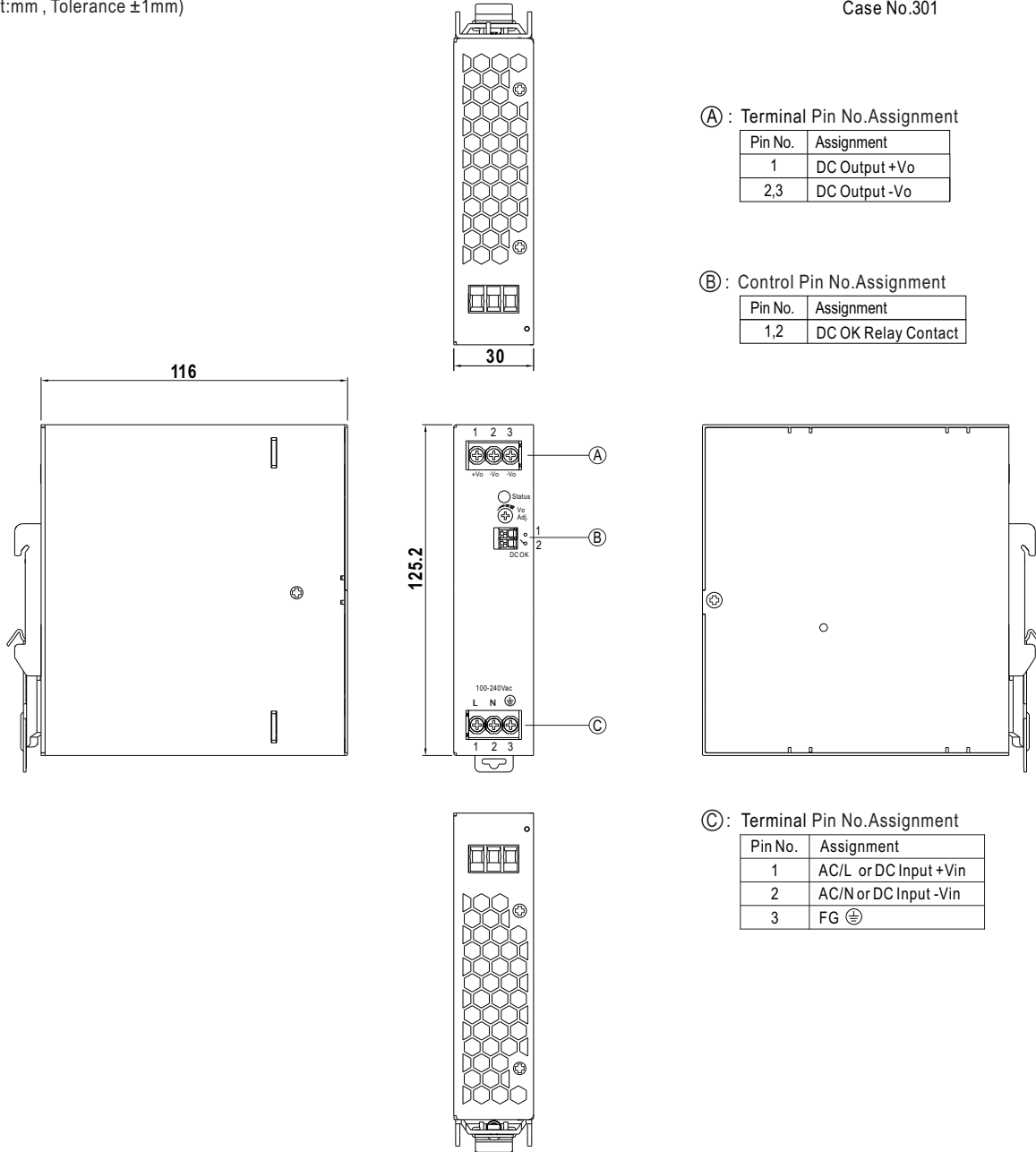
Internal circuit of DC_OK, via relay contact



■ Mechanical Specification

(Unit:mm , Tolerance ± 1 mm)

Case No.301



Ⓐ : Terminal Pin No.Assignment

Pin No.	Assignment
1	DC Output +Vo
2,3	DC Output -Vo

Ⓑ : Control Pin No.Assignment

Pin No.	Assignment
1,2	DC OK Relay Contact

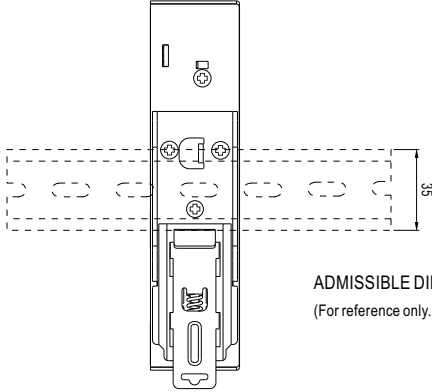
Ⓒ : Terminal Pin No.Assignment

Pin No.	Assignment
1	AC/L or DC Input +Vin
2	AC/N or DC Input -Vin
3	FG \oplus

■ Recommend Wiring

	AC Input T.B	DC Output T.B	Signal connector
Solid Wire	6mm ² max.	6mm ² max.	1.5mm ² max.
A.W.G	22~10 AWG	22~10 AWG	24~16 AWG
Screw Terminal Torque	5 Lb-In	5 Lb-In	/

■ **Installation Instruction**



ADMISSIBLE DIN-RAIL: TS35/7.5 OR TS35/15
(For reference only. Not included with unit.)

This series fits DIN rail TS35/7.5 or TS35/15.
For installation details, please refer to the Instruction manual.

■ **Installation Manual**

Please refer to : <http://www.meanwell.com/manual.html>